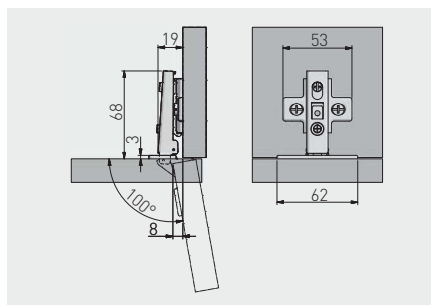


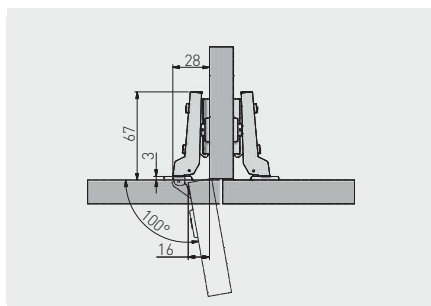
Scharnier CONL, Eckanschlag
 Charnière CONL, appliquée
 Bisagra CONL, recta



ZP-CONL09-BE	H = 0	—	—	Nickel nickel níquel	Stahl acier acero
ZP-CONL09-ZE		—	x 2		



Scharnier CONL, Mittelschlag
 Charnière CONL, jumelle
 Bisagra CONL, acodada



ZP-CONL08-BE	H = 0	—	—	Nickel nickel níquel	Stahl acier acero
ZP-CONL08-ZE		—	x 2		

